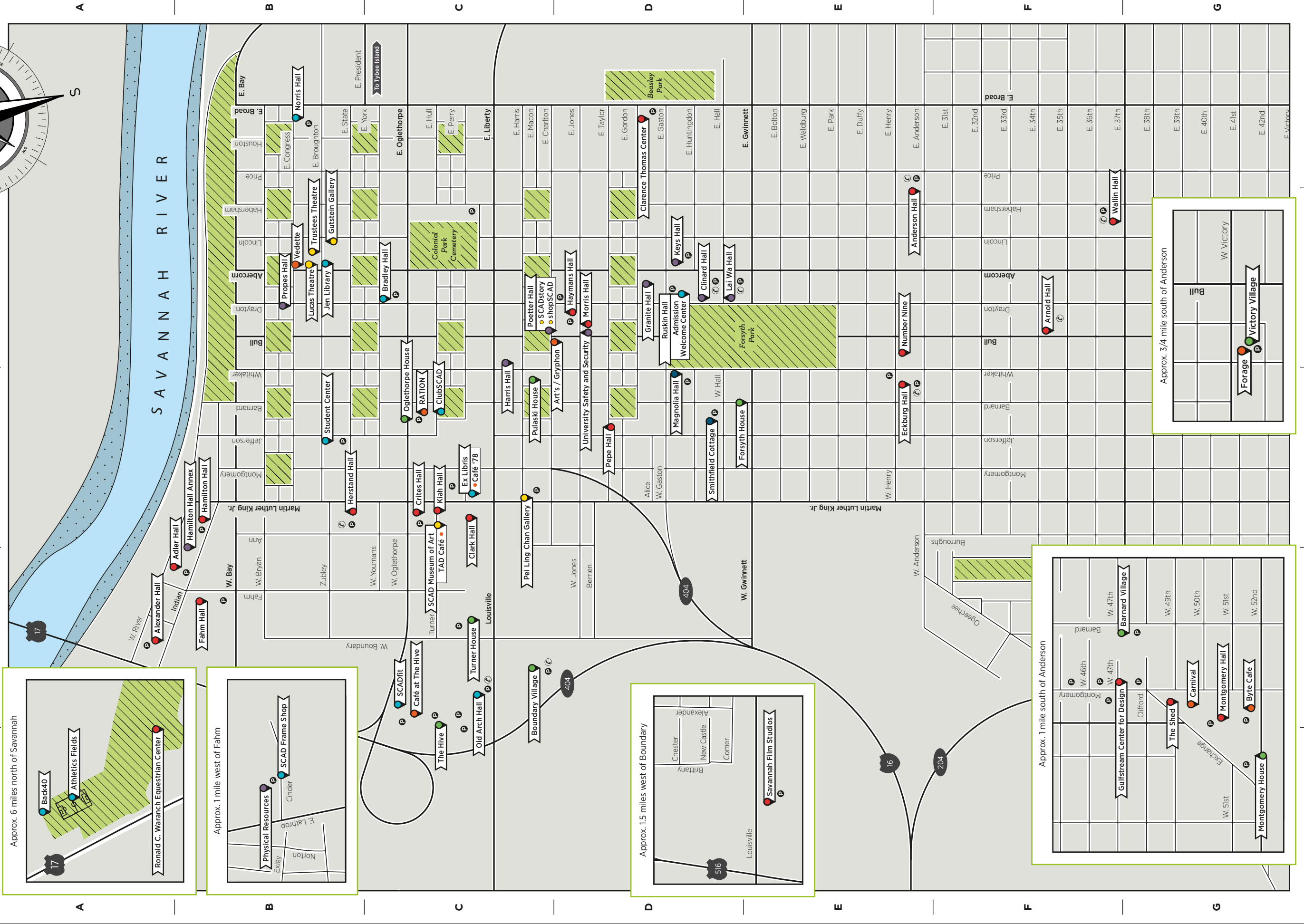
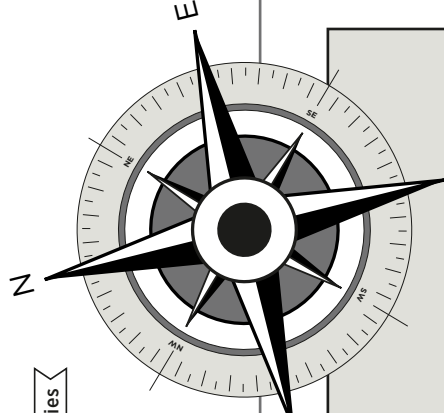


SCAD SAVANNAH

1/4 MILE

- Emergency Phone
- Parking

- Student Services
- Residence Halls
- Academic Buildings
- Galleries / Venues
- Guest Housing
- Professional Buildings
- Eateries



Approx. 6 miles north of Savannah

- Back40
- Athletics Fields
- Ronald C. Waranch Equestrian Center

Approx. 1 mile west of Fahn

- Physical Resources
- SCAD Frame Shop

Approx. 1.5 miles west of Boundary

- Savannah Film Studios

Approx. 1 mile south of Anderson

- Gulfstream Center for Design
- The Shed
- Montgomery Hall
- Byte Cafe
- Montgomery House

Approx. 3/4 mile south of Anderson

- Forage
- Victory Village

SCAD SAVANNAH BUILDING LIST

- **B2 Adler Hall** ☺
532 Indian St.
Advertising
Branded Entertainment
Film and Television
Graphic Design
Photography
Sound Design
- **B2 Byrne Cafe** ☺
3515 Montgomery St.
Eatery
- **B2 Café at The Hive** ☺
201 W. Boundary St.
Eatery
- **B2 Carnival** ☺
3515 Montgomery St.
Eatery
- **B2 Clarence Thomas Center for Historic Preservation** ☺
439 E. Broad St.
Preservation Design
- **B2 Clark Hall** ☺
229 Martin Luther King Jr. Blvd.
Architecture
Interior Design
Urban Design
- **B2 Clinard Hall** ☺
618 Drayton St.
Human Resources
- **B2 ClubSCAD** ☺
201 Barnard St.
Fitness Center
- **B2 Cites Hall** ☺
217 Martin Luther King Jr. Blvd.
Nonprofit Theater
Performing Arts
Production Design
Themed Entertainment Design
- **B2 Barnard Village** ☺
3121 Barnard St.
Residence Hall
- **B2 Boundary Village** ☺
701 W. Jones St.
Residence Hall
- **B2 Bradley Hall** ☺
115 E. York St.
Academic Services
Administration
Athletics
Counseling and Student Support Services
Deaf Services
Graduate Studies
Ombudsman
Registrar
SCAD Card Services
Student Financial Services
Student Success
Study Abroad
- **B2 Fahn Hall** ☺
1 N. Fahn St.
Jewelry
SCADlab
- **B2 Forage** ☺
1 W. Victory Drive
Market and Eatery
- **B2 Forsyth House** ☺
713 Barnard St.
Guest House
- **B2 Granite Hall** ☺
126 E. Gaston St.
Human Resources
- **B2 Gryphon** ☺
337 Bull St.
Eatery
- **B2 Gulfstream Center for Design** ☺
3116 Montgomery St.
Creative Business Leadership Design for Sustainability
Design Management
Furniture Design
Industrial Design
Marine Design
- **B2 Gustin Gallery** ☺
201 E. Broughton St.
Gallery
- **B2 Hamilton Hall** ☺
522 Indian St.
Film and Television
Sound Design
- **B2 Hamilton Hall Annex** ☺
528 Indian St.
Auditorial Services
- **B2 Harris Hall** ☺
26 W. Harris St.
Business and Finance
Payroll
SCAD Travel
- **B2 Haymans Hall** ☺
23 E. Charlton St.
Illustration
Sequential Art
- **B2 Herstand Hall** ☺
101 Martin Luther King Jr. Blvd.
Computer Art
Foundation Studies
Liberal Arts
- **B2 The Hive** ☺
201 W. Boundary St.
Residence Halls
- **B2 Jan Library** ☺
201 E. Broughton St.
Academic Resource Center
eLearning
Visual Resources Center
Writers Studio
- **B2 Oglethorpe House** ☺
201 W. Oglethorpe Ave.
Residence Hall
Residence Life and Housing Offices
Student Media
- **B2 Old Arch Hall** ☺
235 W. Boundary St.
SCAD Community Garden
Student Mail Center
- **B2 Keys Hall** ☺
516 Abercorn St.
Creative Direction
- **B2 Kiah Hall** ☺
227 Martin Luther King Jr. Blvd.
SCAD Museum Offices
- **B2 Lai Wa Hall** ☺
622 Drayton St.
Executive Administration
Events
- **B2 Lucas Theatre for the Arts** ☺
32 Abercorn St.
Receiving
University Mail
- **B2 Magnolia Hall** ☺
501 Whitaker St.
Guest House
- **B2 Montgomery Hall** ☺
3515 Montgomery St.
Animation
Interactive Design and Game Development
Motion Media Design
Visual Effects
- **B2 Morris Hall** ☺
4 E. Jones St.
Fashion Marketing and Management
Luxury and Fashion Management
- **B2 Norris Hall** ☺
548 E. Broughton St.
International Student Center
International Student Services Office
Language Studio
- **B2 Number Nine** ☺
9 W. Henry St.
Fashion
- **B2 Pepe Hall** ☺
212 W. Taylor St.
Fibers
- **B2 Physical Resources** ☺
22 E. Lathrop Ave.
Design Group
Housekeeping and Grounds Maintenance
Receiving
University Mail
- **B2 Poetter Hall** ☺
342 Bull St.
Creative Direction
May Poetter Gallery
- **B2 Propes Hall** ☺
15 Drayton St.
Information Management and Technology
Interactive Services
Technology Help Desk
- **B2 Pulaski House** ☺
328 Barnard St.
Residence Hall
- **B2 Ronald C. Warranch Equestrian Center** ☺
3650 Speedway Blvd.,
Herdeeville, South Carolina
Equestrian Studies
Equestrian Team
- **B2 Ruskin Hall** ☺
516 Drayton St.
Admission
Welcome Center
Career and Alumni Success
SCADpro
- **B2 Savannah Film Studios** ☺
2315 Louisville Road
Film and Television
Sound Design
- **B2 SCADIT** ☺
201 W. Boundary St.
Fitness Center
- **B2 SCADstory** ☺
342 Bull St.
- **B2 SCAD Frame Shop** ☺
102 E. Lathrop Ave.
- **B2 SCAD Museum of Art** ☺
601 Turner Blvd.
Galleries
TAD Café
- **B2 The Shed** ☺
3515 Montgomery St.
Immersive Reality
Interaction Design
Service Design
User Experience Design
- **B2 shopSCAD** ☺
340 Bull St.
- **B2 Smithfield Cottage** ☺
118 W. Hall St.
Guest House
- **B2 Student Center** ☺
120 Montgomery St.
eSports
Inter-Club Council
Service Opportunities for Students
Student Activities Council
Student Involvement
United Student Forum
- **B2 Trustees Theater** ☺
216 E. Broughton St.
Box Office
- **B2 Turner House** ☺
302 W. Boundary St.
Amigos Neueros
beWell
Convenience Store
Residence Hall
Turner Express Office
- **B2 Vedette** ☺
33 Abercorn St.
Eatery
- **B2 Victory Village** ☺
1 W. Victory Drive
Residence Hall
- **B2 Wallin Hall** ☺
312 E. 37th St.
Foundation Studies

☺ Buildings with adjacent SCAD parking lots (SCAD parking permit required)

About SCAD

SCAD: The University for Creative Careers

The Savannah College of Art and Design is a private, nonprofit, accredited university, offering more than 100 academic degree programs in more than 40 majors across its locations in Atlanta and Savannah, Georgia; Hong Kong; Lacoste, France; and online via SCAD eLearning. SCAD enrolls more than 15,000 undergraduate and graduate students from more than 100 countries. The innovative SCAD curriculum is enhanced by advanced professional-level technology, equipment, and learning resources, as well as opportunities for internships, professional certifications, and collaborative projects with corporate partners. In 2019, the prestigious Red Dot Design Rankings placed SCAD as the No. 1 university in the U.S. and in the top two universities in the Americas and Europe. Career preparation is woven into every fiber of the university, resulting in a superior alumni employment rate. In a study of Spring 2018 SCAD graduates, 99% were employed, pursuing further education, or both within 10 months of graduation.

For more information, visit scad.edu.

Connect with SCAD

SCAD in Savannah

800.869.7223 | 912.525.5100

Department of University Safety
912.525.4500

Join the SCAD Facebook page
facebook.com/scad.edu

View SCAD photos
instagram.com/scaddotedu

Follow SCAD on Twitter
twitter.com/scaddotedu

Watch SCAD videos
youtube.com/aboutscad and scad.tv

Share your SCAD experience on Twitter and Instagram by tagging your posts with #SCAD and #SCADSavannah.